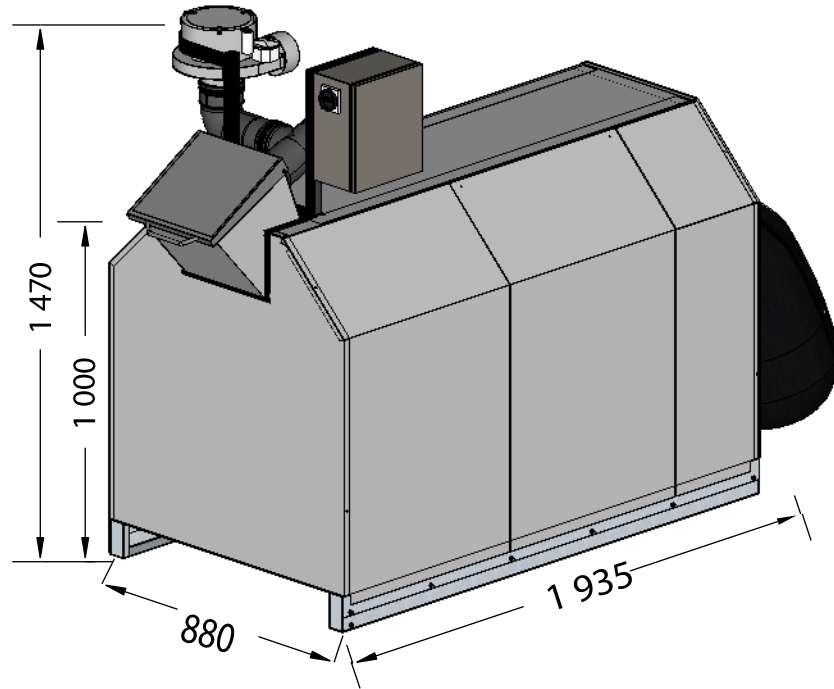
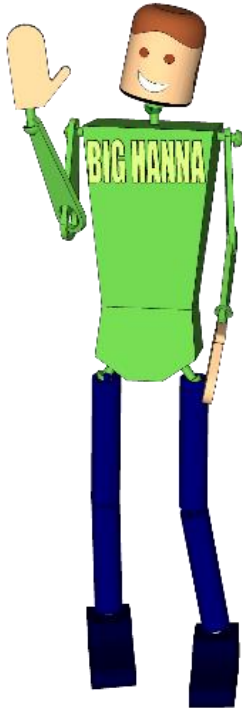




BIGHANNA™ composter

MODEL T40



Capacity *)

Food waste/day (kg)	10-15
Food waste/week (kg)	75-100
Food waste/annum (ton)	4-5
Number of households	25-35
GHG Emissions (MTCO ₂ EQ) avoided calculated on www.epa.org using WARM	
GHG Emissions landfilled	8
GHG Emissions composted on-site	-1
GHG Emissions savings	-9
Capacity when using mechanical dewaterer **)	
Food waste/day (kg)	15-25
Food waste/week (kg)	120-160
Food waste/annum (ton)	6-8

Electrical supply

Power supply	240 V, 1-phase, 50 Hz, 10A
Energy consumption **)	
Total kWh/day standard model	1,01

*) The capacity varies depending on content / mix of food waste, moisture content, absorbent material, biological process and how the machine is fed and programmed. The macerator / dewatering equipment reduces the volume and weight of the food waste and increases the capacity, i.e. more food waste can be recycled. See separate information.

**) The electrical power consumption is calculated for indoor installations. The heater is only used in cold temperatures and only when the temperature between the hood and the cylinder is lower than 5-10°C. This is not included in the electrical power consumption.

Equipment

Temperature sensors	-
Inspection door(s) on hood	-
Access door(s) in to cylinder	1
Touch screen panel	-
Optional equipment for composter	
Mobile or wireless router	-
Log in via computer, phone or tablet and email alarms	-
SMS alarms	-
Energy meter	-
Hopper fed 40L inlet (auger feeder)	-
Shredder	-
Bin tipper	-
Measurements	
Volume cylinder (m ³)	0,61
Weight empty (kg)	200
Weight empty incl shredder/inlet (kg)	-
Max weight full (kg)	540
Number of feet on machine	4
Connection to ventilation (mm)	Ø110
Connection for drainage - infeed hopper (mm)	-
Height inlet (mm)	ca 1 000
Infeed opening (mm)	285 x 295
Volume hopper fed inlet (l)	-
Height under outlet (mm)	600

© Susteco AB reserves the right to modify, at any time and without notice, any or all of its products' features, designs, components and specifications.



BIGHANNA[™] composter

